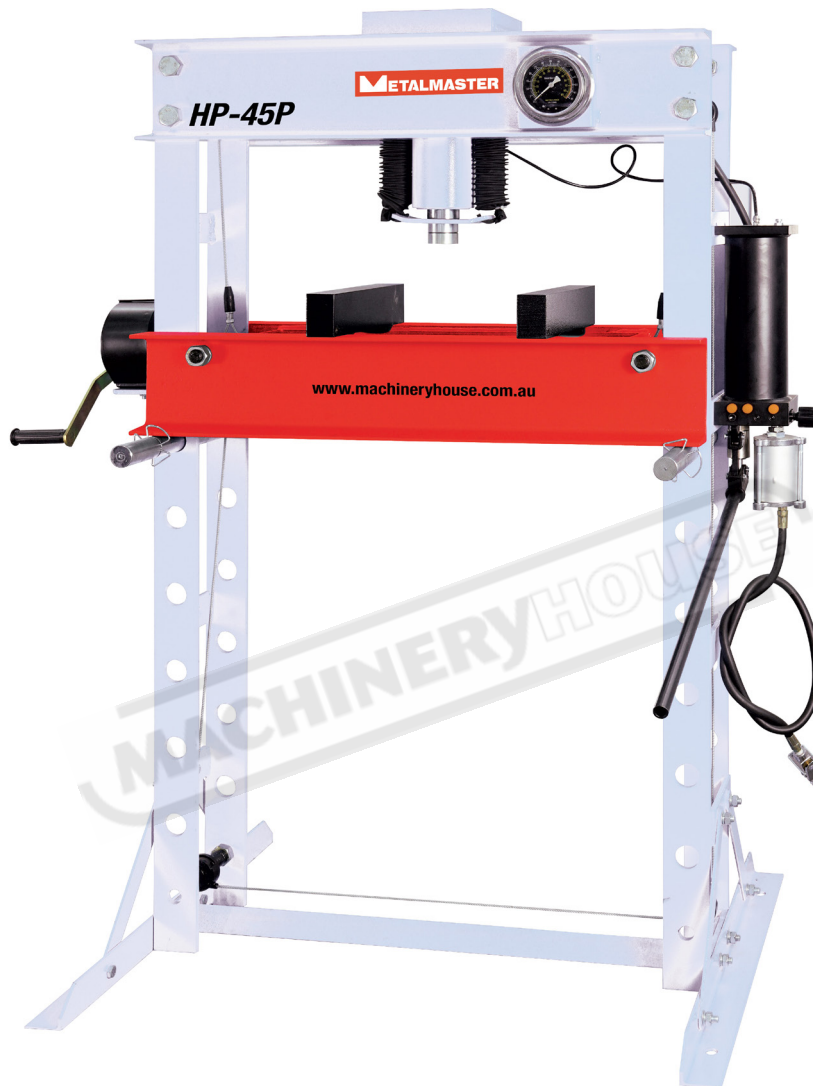


METALMASTER

OPERATION MANUAL



HYDRAULIC PRESS

Model. HP-45P

Order Code P147

Edition No : HP-45-1

Date of Issue : 04/2020

www.machineryhouse.com.au

MACHINE DETAILS

MACHINE	<input type="text" value="HYDRAULIC PRESS"/>
MODEL NO.	<input type="text" value="HP-45P"/>
SERIAL NO.	<input type="text"/>
DATE OF MANF.	<input type="text"/>

Distributed by



www.machineryhouse.com.au

www.machineryhouse.co.nz

Note:

This manual is only for your reference. Owing to the continuous improvement of the Metalmaster machine, changes may be made at any time without obligation or notice. Please ensure the local voltage is the same as listed on the specification plate before operating any electric machine.



NOTE:

In order to see the type and model of the machine, please see the specification plate. Usually found on the side or the back of the machine. See example (Fig.1)

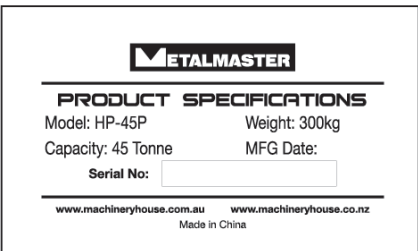


Fig.1

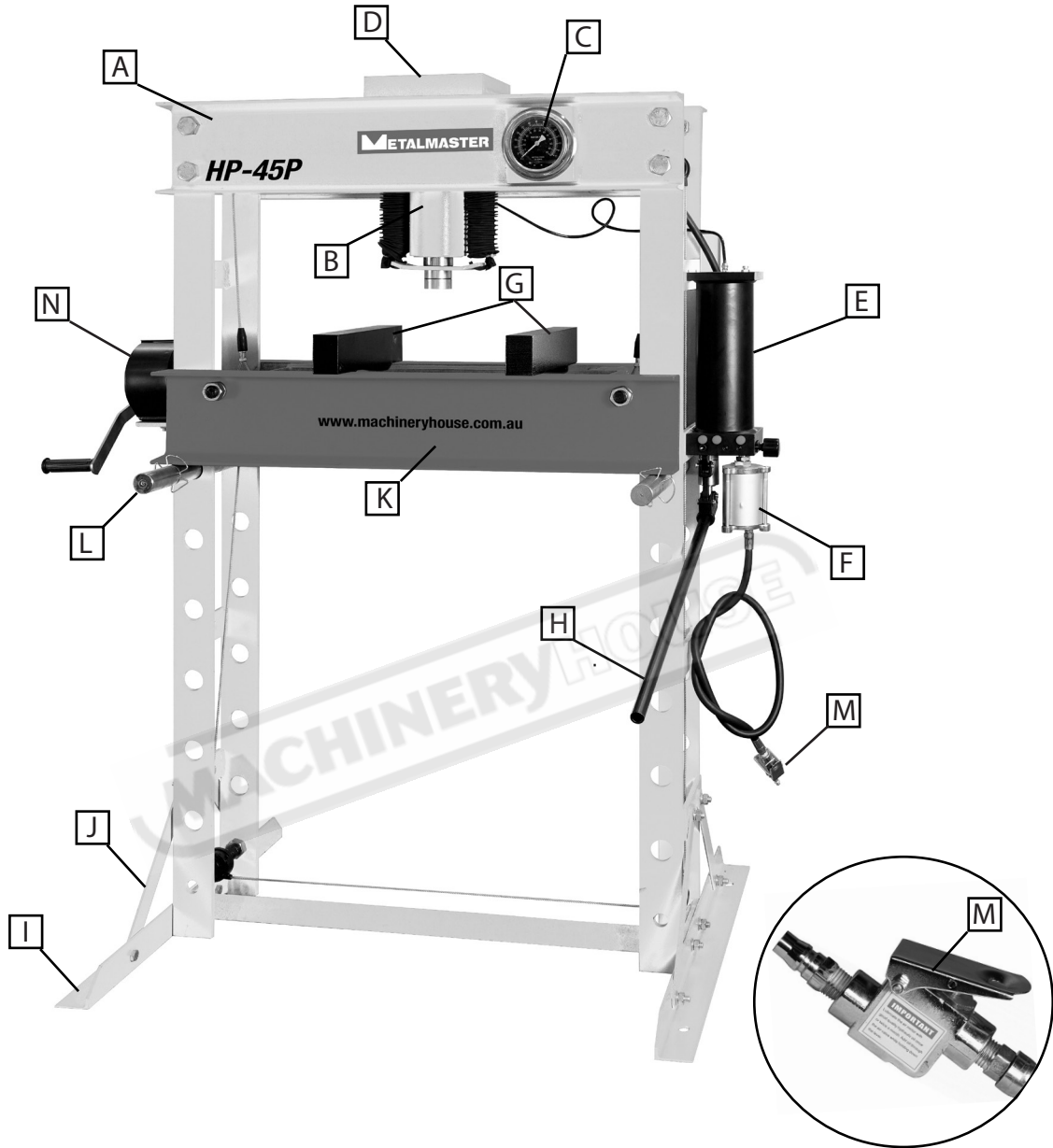
CONTENTS:

1. GENERAL MACHINE INFORMATION	
1.1 Specifications.....	4
1.2 Identification.....	5
2. IMPORTANT INFORMATION	
2.1 General Workshop Safety.....	6
2.2 Safe Operating Procedure for Hydraulic press..	8
2.3 Lifting Instructions.....	9
3. INSTALLATION	
3.1 Site Preparation.....	10
3.2 Options for Mounting.....	10
3.3 Assembly.....	11
3.4 Bleeding The Hydraulic System.....	12
4. OPERATION	
4.1 Positioning the Bed.....	13
4.2 Pressing Process.....	13
5. MAINTENANCE	
5.1 Inspection Schedule.....	15
5.2 Troubleshooting.....	15
5.3 Lubrication.....	16
5.3 Filling The Oil.....	16
Spare Parts.....	17
Risk Assessment Sheets.....	24

1.1 SPECIFICATIONS

Order Code	P147
Model	HP-45P
Pressing Capacity (Tonne)	45
Hydraulic Ram Operation (Type)	Pneumatic / Hydraulic
Air Pressure (psi)	110-120
Sliding Ram (left-right) (Yes/No)	No
Width Between Front Posts (mm)	825
Width Between Side Posts (mm)	185
Table Top Opening - (Front to Back) (mm)	155
Ram To Table (Max.) (mm)	855
Piston Ram Stroke (mm)	185
Ram Diameter (mm)	Ø70
Dimensions (W x D x H) (mm)	1400 x 800 x 1710
Shipping Size (W x D x H) (mm) Carton 1	1040 x 290 x 190 (340kg)
Shipping Size (W x D x H) (mm) Carton 2	N/A
Nett Weight (kg)	300

1.2 IDENTIFICATION



A	Main Frame	H	Hydraulic Pump Handle
B	Cylinder	I	Press Feet
C	Pressure Gauge	J	Press Feet Stay Bars
D	Ram Baseplate	K	Bed or Working Table
E	Hydraulic Pump	L	Table Support Pins
F	Pneumatic Cylinder	M	Air Control Valve
G	Pressing Plates	N	Table Winch

2.1 GENERAL WORKSHOP SAFETY

DO NOT use any machine unless you have read the manual or have been instructed in the use of the machine in its safe use and operation



WARNING

This manual provides safety instructions on the proper setup, operation, maintenance, and service of this machine. Save this manual, refer to it often, and use it to instruct other operators. Failure to read, understand and follow the instructions in this manual may result in serious personal injury—including amputation, or death.

The owner of this machine is solely responsible for its safe use. This responsibility includes, but is not limited to proper installation in a safe environment, personnel training and authorization to use, proper inspection and maintenance, manual availability and comprehension, of the application of the safety devices, integrity, and the use of personal protective equipment.

The manufacturer will not be held liable for injury or property damage from negligence, improper training, machine modifications or misuse.



Safety glasses must be worn at all times in work areas. Earmuffs should be worn if the work area is noisy.



Sturdy footwear must be worn at all times in work areas.



Gloves should NOT be worn when operating this machine



Long and loose hair must be contained with a net or under a hat

OWNER'S MANUAL. Read and understand this owner's manual before using the machine.

CHECK DAMAGED PARTS. Regularly inspect the machine for any condition that may affect the safe operation. Immediately repair or replace damaged or parts that are incorrectly fitted before operating.

TRAINED OPERATORS ONLY. Operators that have not been trained have a higher risk of being seriously injured. Only allow trained or supervised people to use this machine. When the machine is not being used, disconnect the power, to the machine to prevent unauthorized use—especially around children. Make the workshop safe.

2.1 GENERAL WORKSHOP SAFETY Cont.

WEARING PROPER APPAREL Do not wear clothing, apparel or jewelry that can become entangled in moving parts. Always tie back or cover long hair. Wear non-slip footwear to avoid accidental slips, which could cause loss of operating control.

HEARING PROTECTION. Always wear hearing protection when operating or observing loud machinery. Extended exposure to this noise without hearing protection can cause permanent hearing loss.

USE CORRECT TOOL FOR THE JOB. Only use this tool for its intended purpose. Do not force the machine or its attachments to do a job for which they were not designed. Never make unapproved modifications. Modifying the machine or using it differently than intended may result in malfunction or mechanical failure that can lead to personal injury or death!

AWKWARD POSITIONS. Keep proper footing and balance at all times when operating the machine. Do not overreach! Avoid awkward hand positions that make operating control difficult. This could increase the risk of accidental injury.

FORCING MACHINERY. Do not force the machine. It will do the job safer and better at the rate for which it was designed.

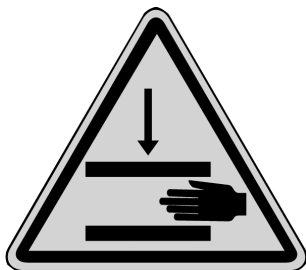
NEVER STAND ON MACHINE. Serious injury may occur if the machine is tipped or if crush points are unintentionally contacted

STABLE MACHINE. Unexpected movement during operation greatly increases risk of injury or loss of control. Before using the machine, verify that it is stable

UNATTENDED OPERATION. To reduce the risk of accidental injury, never leave the machine in use while unattended.

MAINTAIN WITH CARE. Follow all maintenance instructions and lubrication schedules to keep the machine in good working condition. A machine that is improperly maintained could malfunction, leading to serious personal injury or death.

CHILDREN & BYSTANDERS. Keep children and bystanders at a safe distance from the work area. Stop using machine if they become a distraction.



Warning: Crush Points can occur between the Ram and the workpiece or between the workpiece and the table.

2.2 SAFE OPERATING PROCEDURE FOR HYDRAULIC PRESS

DO NOT use this machine unless you have been instructed in its safe use and operation and have read and understood this manual.



Safety glasses must be worn at all times in work areas.



Close fitting protective clothing or overalls are encouraged



Appropriate protective footwear with substantial uppers must be worn.



Rings and jewellery must NOT be worn in the workshop

PRE-OPERATIONAL SAFETY CHECKS

1. Ensure you are familiar with the operation of the hydraulic press.
2. Check for any hydraulic fluid leaks.
3. The press table must be clean and steel weights are flat and secure on press table.
4. Any forming die or cutting die must be inspected for safe use i.e. no cracks.
5. Ensure safety glasses or goggles are available and are worn by all persons in the vicinity.
6. Any test piece, project or material (work piece) to be pressed must be of an appropriate thickness and safe to use on this equipment.
7. Faulty equipment must not be used. Immediately check suspect machinery.

OPERATIONAL SAFETY CHECKS

1. Place your test piece, project or material (work piece) securely on the press table.
2. Ensure the pressure valve is closed before operation.
3. Use the press handle, in a pumping action, to slowly lower the press hammer.
4. Use your shoulder muscles when operating – NOT your lower back.
5. Keep hands and fingers away from all clamping and moving parts.
6. Carefully and accurate alignment the press hammer face with the work piece for even force to be applied.
7. Once the press hammer makes contact with the work piece, closely watch the PSI gauge and note the pressure applied.
8. Once the work piece is pressed sufficiently, release the hammer pressure at the release valve.
9. DO NOT apply excessive force with the press.

AFTER OPERATION COMPLETED

1. After use, clean the press down and place any tools and equipment in the appropriate storage area – including the press handle.
2. Place all scrap or waste in the appropriate bin.

POTENTIAL HAZARDS

- Beware of high forces applied
- Pinch and squash
- Potentially uneven forces being applied to the work piece
- Eye injuries – flying or shattering objects
- Laceration injuries

2.3 LIFTING INSTRUCTIONS

On the day that the machine arrives, make sure that a crane or forklift with sufficient capacity is available to unload the machine from the vehicle. Ensure access to the chosen site is clear and that doors and ceilings are sufficiently high and wide enough to receive the machine. To handle the machine, the slings should be positioned so the machine is level when lifted. When using slings please take note of the sling angle and the loads that apply

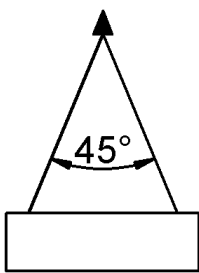


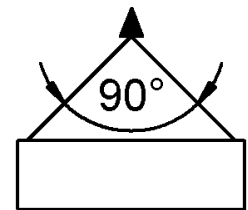
Fig 2.1.

When the slings are at a 45° angle then each sling is carrying the equivalent of 50% of load weight. (Fig.2.1).

When the slings are at a 90° angle then each sling will have a weight equal to 75% of the load on each sling. (Fig 2.2)

Note! The manufacturer recommends not to exceed 90° angle

Fig 2.2



LIFTING POINTS

When lifting the machine only certified lifting slings should be used. (Fig.2.3)

Ensure that when lifting, the machine does not tip over. Check that the lifting slings do not interfere with the hydraulic pipes or the gauge. Use timber or rubber mats to protect the press.

Failure to follow these instructions could cause damage to the machine

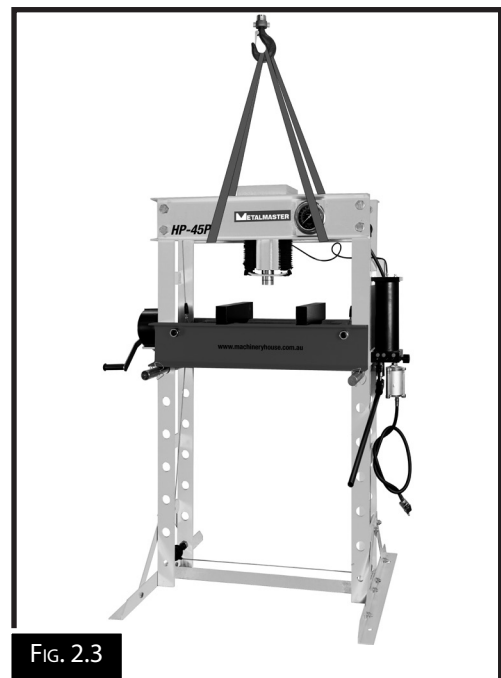


FIG. 2.3

3. INSTALLATION

Ensure the press and its components suffered no damage during transit and that all the parts are present. Should any loss or damage become apparent, please contact your local dealer immediately.

IMPORTANT: We strongly recommend that the press be firmly secured to a firm and level floor using expansion bolts (not supplied). Holes are provided in the base supports for this purpose.

IMPORTANT: Do not locate your press where it will be open to the elements, as severe weather conditions will damage the hydraulic parts.

The position where your machine is operated is important for safe operation and the longevity of its components. For best results, operate this machine in a dry environment that is free from excessive moisture, hazardous chemicals, airborne abrasives, or extreme conditions.

Extreme conditions for this type of machinery are generally those where the environment is subject to vibration, shocks, or bumps.

Children or untrained people may be seriously injured by this machine. Only install in an access restricted location.

Lighting around the machine must be adequate enough that operations can be performed safely.

Consider the largest size of workpiece that will be processed through this machine and provide enough space around the machine for adequate operator material handling or the installation of auxiliary equipment.

3.1 SITE PREPARATION

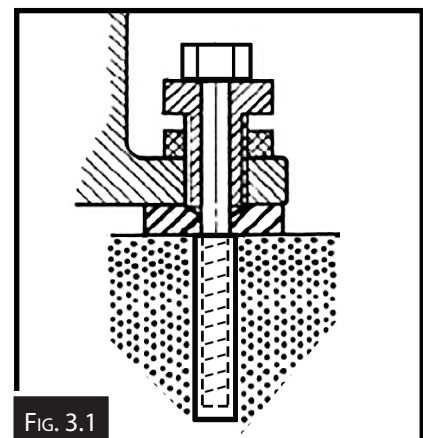
When selecting the site for the machine, consider the largest size of workpiece that will be processed through the machine and provide enough space around the machine for operating the machine safely. Consideration should be given to the installation of auxiliary equipment. Leave enough space around the machine to open or remove doors/covers as required for the maintenance and service as described in this manual.

It is recommended that the machine is anchored to the floor to prevent tipping or shifting. It also reduces vibration that may occur during operation.

3.2 OPTIONS FOR MOUNTING

The machine is best mounted on a concrete slab.

Masonry anchors with bolts are the best way to anchor the machinery, because the anchors sit flush with the floor surface, making it easy to unbolt and move the machine later, if needed. (Fig. 3.1)



3.3 ASSEMBLY

The press is supplied mostly assembled, with only the feet and pump to be installed. The following is the procedure to assemble these items.

To assemble the press feet:

1. Attach the feet and the bottom cross member to the side supports, using the nuts, bolts and washers. (Fig.3.2)
2. Add the stay bars to each side and bolt into place.

To assemble the Hydraulic/Air Pump

1. Attach the hydraulic/air pump to the two brackets on the right hand side of the frame using the bolts and spring washers supplied. Ensure that the hydraulic air pump is securely installed. (Fig.3.3)

Note:

The hydraulic/air pump can easily be damaged if dropped during installation. Make sure that pump is secure before releasing your hold of the hydraulic/air pump.

2. Connect the hydraulic hose to the ram cylinder then connect the hose to the hydraulic/air pump.

To assemble the Bed or Table Winch

1. Attach the L-shape bracket to the left hand side of the frame with the spring washers, flat washers, nuts and bolts supplied
2. Attach the winch to the L-shape bracket with the spring washer, flat washer, nut and bolt supplied.
3. Turn the winch handle until it is in the down position. (Fig.3.4)

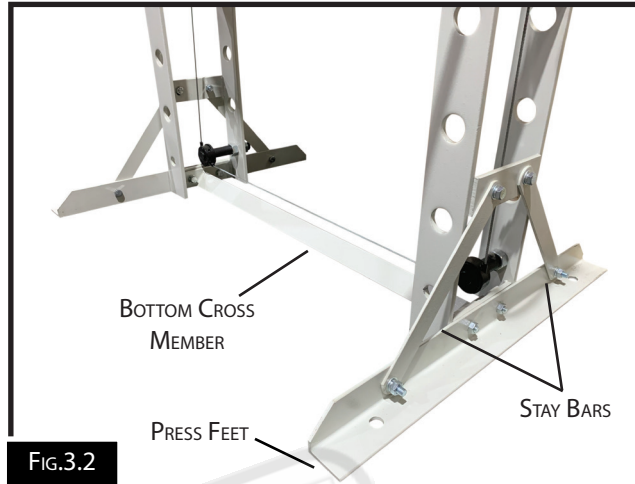


FIG.3.2

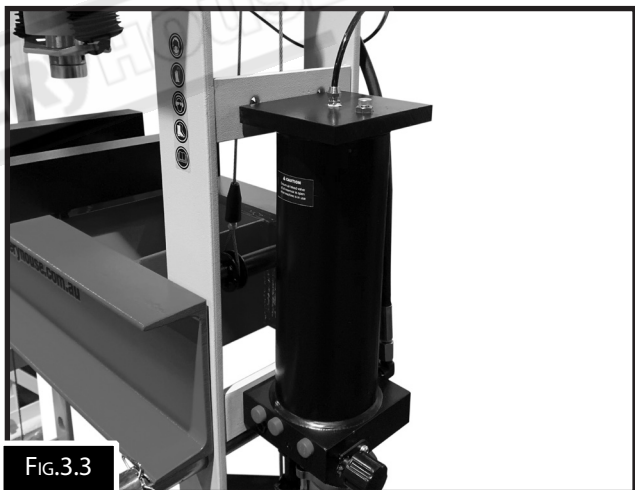


FIG.3.3



FIG.3.4

4. Raise the press bed or working table to the desired height and insert the bed frame pins into the holes on the frames and secure the pins with the spring clips.

⚠ WARNING *The Bed or Working Table is heavy and could cause injury when lifting. Seek help from 2 or more people with the lift.*

5. Check that the wire cable is tracking correctly in the pulleys and is securely attached to the bed or working table. (Fig.3.5)



FIG.3.5

3.4 BLEEDING THE HYDRAULIC SYSTEM

Note: *The ram must be in its fully up position before commencing to bleed the system.* Before using the press for the first time, the hydraulic system needs to have any air in the system removed.

To Bleed the Hydraulic system

1. Open the knurled breather vent on the top of the cylinder (Fig.3.6)
2. Open the Release Valve by turning it counter clockwise. (Fig.3.7)
3. Connect the air quick coupler to the air supply.
4. Press the air valve (Fig.3.8) and hold for a few seconds then release the valve. Alternatively pump the handle manually. Repeat this process several times.
5. Check the oil level and add oil if required (See page 16)
6. Turn the Release Valve clockwise and press the air valve. The ram should now extend correctly. If the pressing action seems spongy then repeat the process.

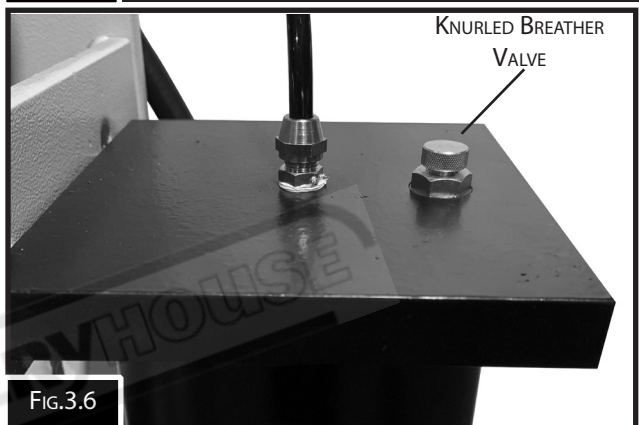


FIG.3.6

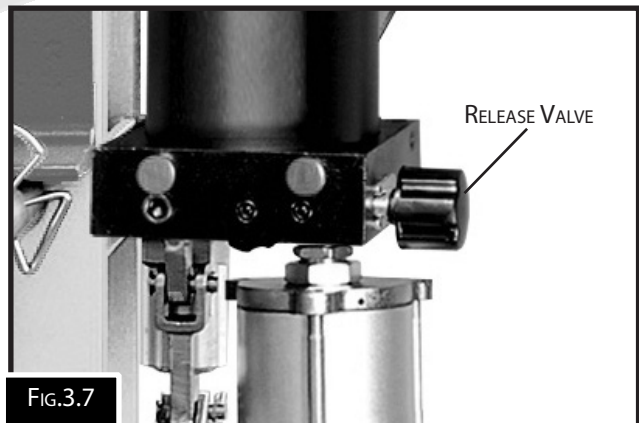


FIG.3.7



FIG.3.8

4. OPERATION

4.1 POSITIONING THE BED

IMPORTANT: The Metalmaster press is designed to withstand greater loads than the press can develop. For safety reasons, always ensure the workpiece and press tools are secured on the table and will not flex or suddenly "give way" causing danger to operator or the workpiece. Also ensure you have read and understood the safety instructions. Due to the weight of the bed, we recommend that you get assistance from another person when adjusting the bed height.

1. Using the table winch, raise the table enough so that the weight is removed from the table support pins. Remove the safety clip and the table support pins and insert them at the desired height, refitting the safety clips. Then lower the (bed) working table on to the pins. Ensure that the (bed) working table is fully supported on the support pins.
2. Place the pressing plates on the press (bed) working table. (Fig.4.1)

4.2 PRESSING PROCESS

1. Place the workpiece on the bed. It must be completely stable and supported by packing or shims where required. Steel pressing plates are supplied, (Fig.4.1) which locate on the bed. Place the workpiece on a combination of these to give it stability.

NOTE: Any packing pieces or shims used **MUST** be capable of withstanding the pressure that will be applied, and **MUST** be of sufficient size with enough surface area, so as to avoid the possibility of slipping or springing out. Mating surfaces **MUST** be horizontal so that the force being exerted will **NOT** be at an angle.

2. Close the release valve by turning it clock wise until tightly closed. (Fig. 4.2)
3. Connect the air hose inlet fitting onto the workshop air supply hose and press the trigger (Fig.4.3) to pump air in to the system until the ram nears the work piece, then release the trigger. Alternately the press can be used manually by pumping the handle until the ram nears the work piece.



FIG.4.1

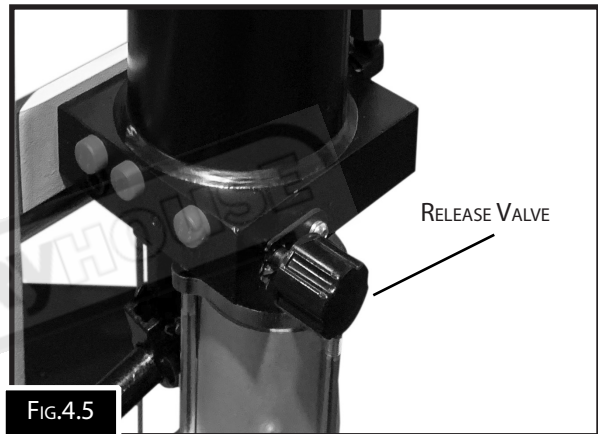


FIG.4.2



FIG.4.3

4. Align the ram and work piece to ensure that the load is taken in the centre of the ram and not off to one side. (Fig.4.4)
5. When satisfied that the workpiece is correctly aligned and is completely stable in that position, slowly pump the handle or gently squeeze the trigger so that the ram begins to exert pressure on the work piece. Continue to gently squeeze the trigger or pump the handle whilst standing to the side. Do NOT stand directly in front of the work, and constantly monitor the process, ensuring the ram and work remain completely in line and there is no risk of slipping.
6. When work is completed, stop pumping the handle (or release the trigger). Slowly turn the release valve counter-clockwise in small increments until ram is free from work piece.(Fig.4.5)

**WARNING**

Do not exceed the rated capacity of the press. Do not allow any person who is inexperienced in the use of hydraulic presses, to use the press unless they are under direct supervision

5. MAINTENANCE

- A visual inspection must be made before each use of the press, checking for leaking hydraulic fluid and damaged, loose, or missing parts.
- Owners and/or users should be aware that repair of this equipment requires specialized knowledge and facilities. It is recommended that a thorough annual inspection of the press be made and that any defective parts be replaced with genuine Metalmaster parts.
- Any press which appears to be damaged in any way, is found to be badly worn, or operates abnormally SHOULD BE REMOVED FROM SERVICE until the necessary repairs are made.
- If the press is not to be used for any length of time, store it with the ram retracted and the operating handle in the lowered position to protect the moving parts.

5.1 INSPECTION SCHEDULE

- Check the press frame to make sure all bolts are tight and inspect for cracked welds, bent, loose or missing parts.
- Inspect the air components for leaks
- Check the hydraulic connections for leaks. Replace or properly repair any damaged or leaking hydraulic components before using. In the event of leaking seals, oil can be topped up via the plug on the end of the pump. Oil should be filled to around 20mm of the top of the reservoir. If necessary top up with hydraulic oil, This task is carried out with the ram fully retracted.
- If any rust is apparent it must be removed completely and the paint restored

5.2 TROUBLESHOOTING

Problem	Probable Cause	Remedy
Pump unit will not work	Dirt on the valve seat/worn seals	Bleed pump unit or have unit overhauled with new seals
Pump will not produce pressure. Pump feels hesitant under load. Pump will not lower completely	Air-lock	Open the release valve and remove the oil filler plug. Pump the handle a couple of full strokes and close the release valve. Replace the filler plug.
Pump will not deliver pressure	Reservoir could be overfilled or have low oil level	Check oil level by removing the filler plug and topping up to the correct level.
Pump feels hesitant under load	Pump cup seal could be worn out	Have the cup seal replaced.
Pump will not lower completely	Air-lock	Release air by removing the filler plug

5.3 LUBRICATION

The Metalmaster press may not safely operate without proper lubrication. When this equipment is used without proper lubrication the result may be poor performance or damage to the equipment. Parts in this equipment are not self-lubricating, so it is advised to inspect the equipment before use and lubricate when necessary. After cleaning, lubricate the equipment using a high grade light penetrating oil or lubricating spray.

- For light duty use lubricate once a month
- For heavy and constant use lubrication is recommended every week.
- NEVER use sandpaper or abrasive material on these surfaces.

5.4 FILLING THE HYDRAULIC OIL



WARNING

When filling the oil the ram must be in the FULLY UP POSITION before any filling of the oil takes place. Failure to do so will cause overflowing of the oil, creating a slip hazard.

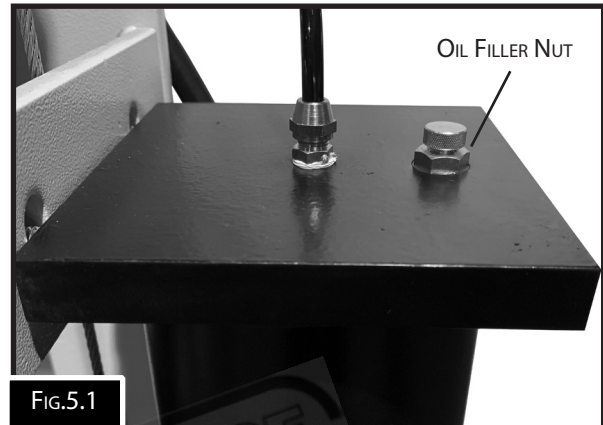
Checking the hydraulic oil:

Remove the oil filler nut (on the top of the reservoir.(Fig.5.1) If the oil is not adequate, fill with 32# hydraulic oil as necessary.

The oil should be filled to approximately 80% of the reservoir capacity. Do not use brake or transmission fluid or regular motor oil as they can damage the seals.

Once filled, then replace the oil filler nut, and bleed away air from the hydraulic system as described on page 12.

Remove any hydraulic pump from service that is damaged, worn or operates abnormally, until repaired by an authorized service technician.



MACHINERYHOUSE

SPARE PARTS SECTION

HYDRAULIC PRESS

Model. HP-45P

Order Code P147

Edition No : HP-45-1

Date of Issue : 04/2020

The following section covers the spare parts diagrams and lists that were current at the time this manual was originally printed. Due to continuous improvements of the machine, changes may be made at any time without notification.

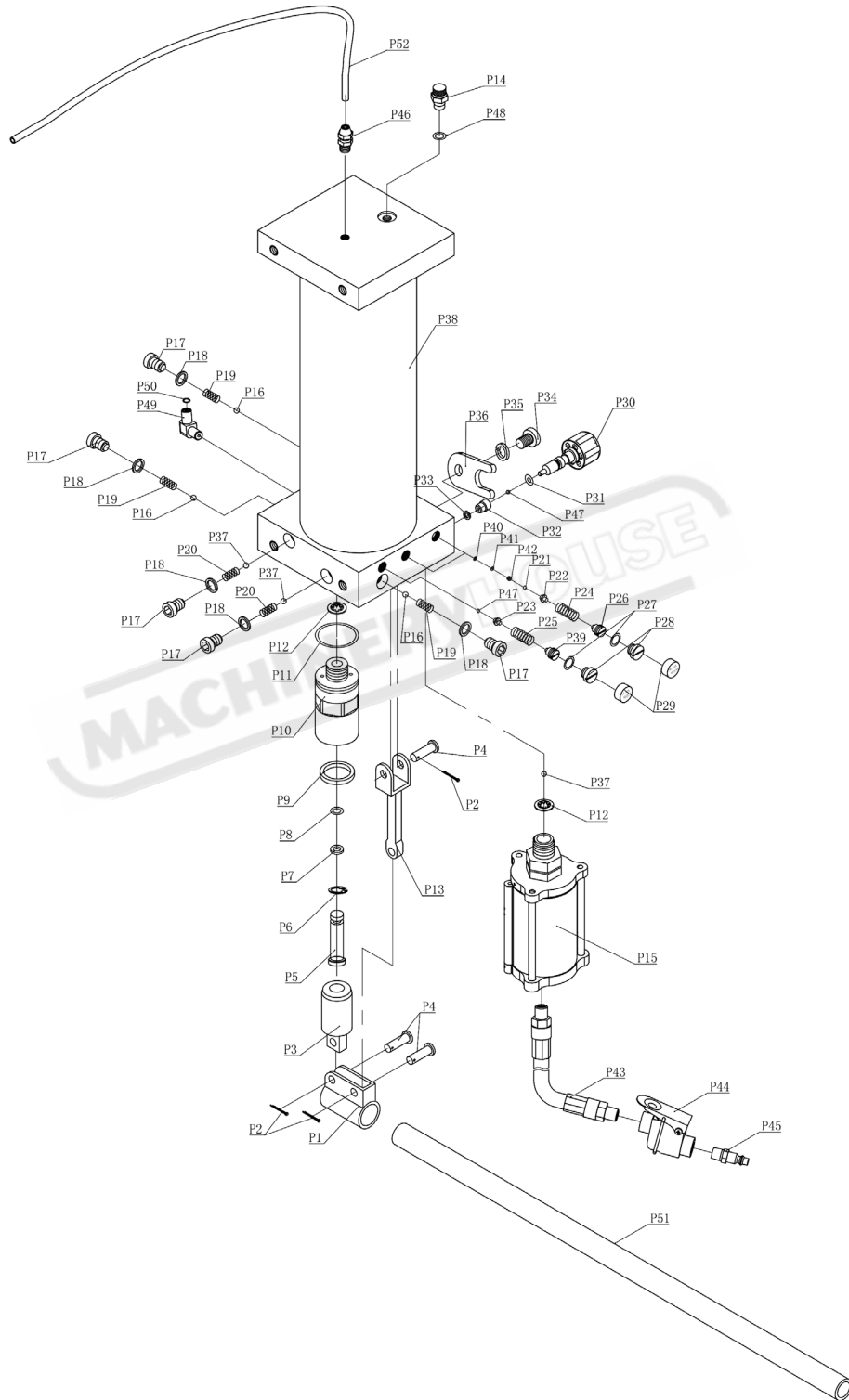
HOW TO ORDER SPARE PARTS

1. Have your machines **model number, serial number & date of manufacture** on hand, these can be found on the specification plate mounted on the machine
2. A scanned copy of your parts list/diagram with required spare part/s identified
3. Go to www.machineryhouse.com.au/contactus and fill out the enquiry form attaching a copy of scanned parts list.

CONTENTS

Pump Spare Parts Diagram.....	18
Pump Spare Parts List.....	19
Ram Spare Parts Diagram.....	20
Ram Spare Parts List.....	21
Press Spare Parts Diagram.....	22
Press Spare Parts List.....	23

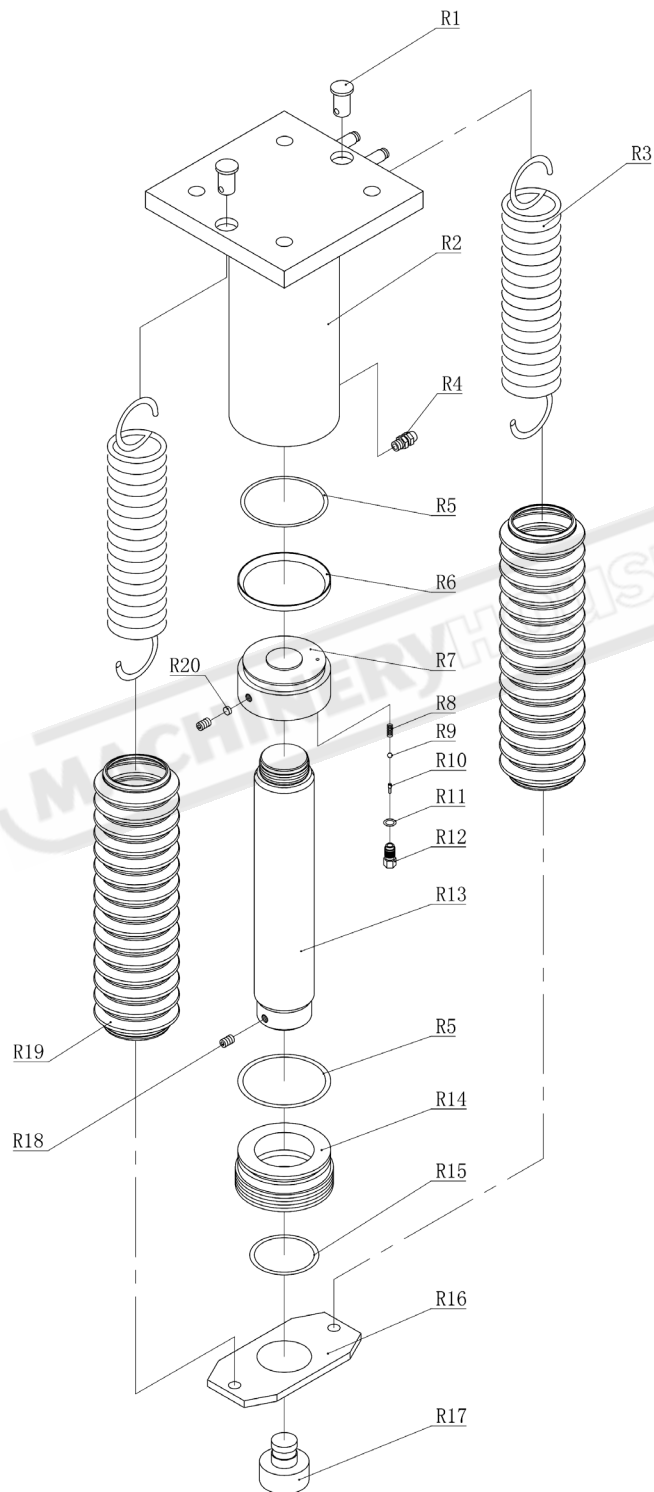
HP-45P PUMP SPARE PARTS DIAGRAM



HP-45P PUMP SPARE PARTS LIST

No.	Description	Qty	No.	Description	Qty
P1	Socket	1	P27	O-ring	3
P2	Pin	2	P28	Screw	3
P3	Big pump core	1	P29	Cap	3
P4	Pin	3	P30	Release valve assy	1
P5	Small pump core assy	1	P31	O-ring	1
P6	Retaining ring	1	P32	Release valve seat	1
P7	PTFE washer	1	P33	Washer	1
P8	O-ring	1	P34	Screw	1
P9	U-ring	1	P35	Locking washer	1
P10	Pump core seat	1	P36	U limit	1
P11	O-ring	1	P37	Steel ball	3
P12	Copper washer	2	P38	Pump assy	1
P13	Connector bar	1	P39	Screw	1
P14	Screw assy	1	P40	Copper washer	2
P15	Air pump	1	P41	Washer	2
P16	Steel ball	3	P42	Screw	2
P17	Screw	5	P43	Air hose assy	1
P18	Washer	5	P44	Air valve assy	1
P19	Spring	3	P45	Connector	1
P20	Spring	2	P46	Connector	1
P21	Valve ball	2	P47	Steel ball	2
P22	Steel ball seat	2	P48	Nylon washer	1
P23	Steel ball seat	1	P49	Connector	1
P24	Spring	2	P50	O-ring	1
P25	Spring	1	P51	Handle	1
P26	Screw	2	P52	Oil hose	1

HP-45P RAM SPARE PARTS DIAGRAM

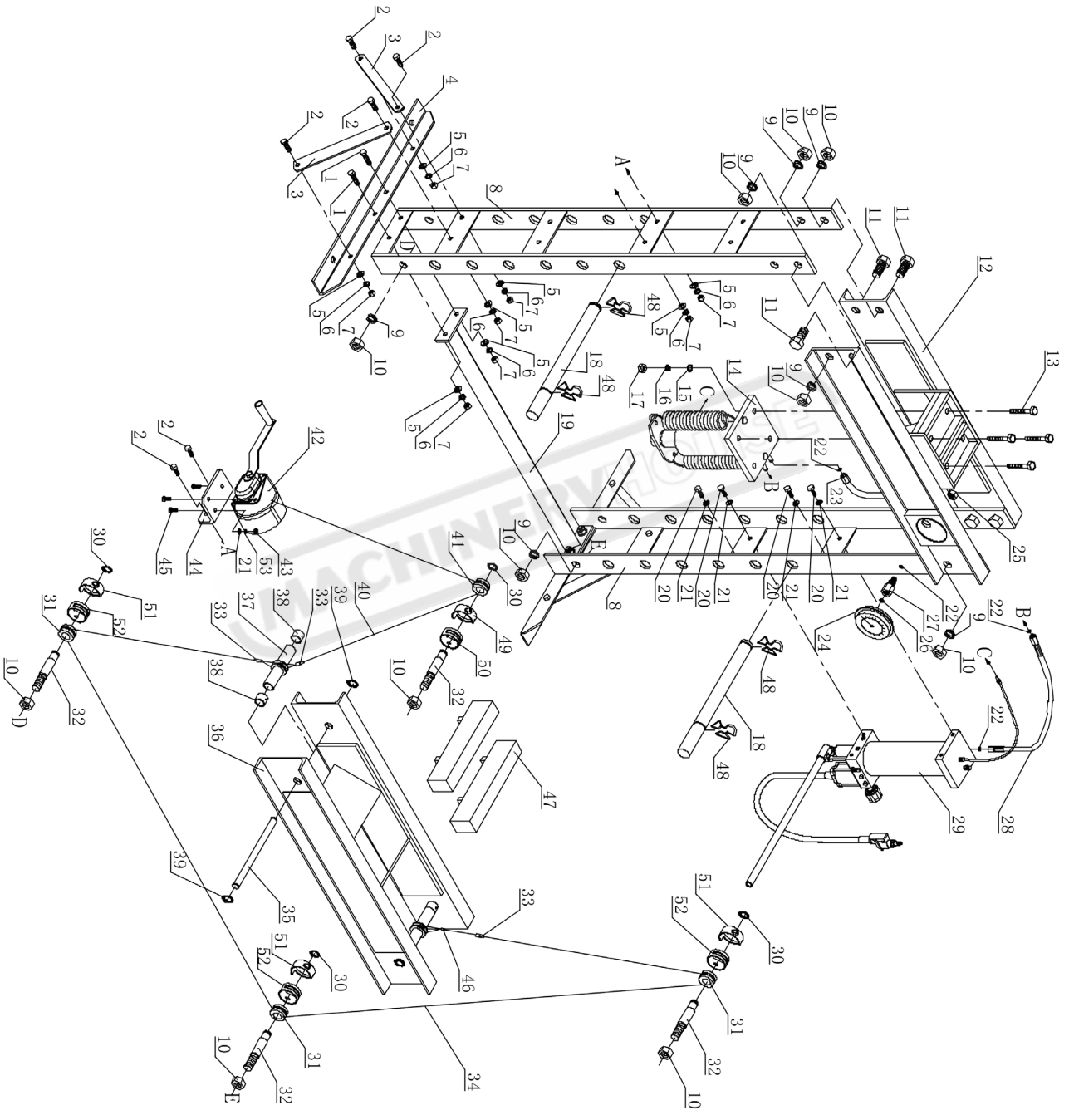


HP-45P RAM SPARE PARTS LIST

No.	Description	Qty	No.	Description	Qty
R1	Pin	2	R11	Nylon washer	1
R2	Ram	1	R12	Limit screw	1
R3	Spring	2	R13	Piston rod	1
R4	Connector	1	R14	Cylinder cover	1
R5	O-ring	2	R15	O-ring	1
R6	Washer	1	R16	Plate	1
R7	Piston saddle	1	R17	Saddle	1
R8	Spring	1	R18	Screw	2
R9	Steel ball	1	R19	Protection cover	2
R10	Screw core	1	R20	Nylon block	1

MACHINERYHOUSE

HP-45P PRESS SPARE PARTS DIAGRAM



HP-45P PRESS SPARE PARTS LIST

No.	Description	Qty	No.	Description	Qty
1	Bolt	4	28	Oil hose 2	1
2	Bolt	10	29	Pump	1
3	Support	4	30	Retain ring	4
4	Base section	2	31	Small roller	3
5	Washer	14	32	Bolt	4
6	Locking washer	14	33	Sleeve	3
7	Nut	14	34	Cable	1
8	Post	2	35	Down beam	2
9	Locking washer	10	36	Down frame assy	1
10	Nut	14	37	Sleeve assy	2
11	Bolt	6	38	Sleeve 2	4
12	Upper beam	1	39	Retain ring	4
13	Bolt	4	40	Steel wire rope	1
14	Cylinder	1	41	Big roller	1
15	Washer	4	42	Winch	1
16	Locking washer	4	43	Nut	3
17	Nut	4	44	Fixed plate	1
18	Pin	2	45	Bolt	3
19	Base section bar	1	46	Connector	3
20	Bolt	4	47	Blocks	2
21	Washer	7	48	Retain ring	4
22	O-ring	4	49	Protection cover 1	1
23	Oil hose 1	1	50	Protection cover 2	1
24	Gauge	1	51	Protection cover 3	3
25	Nut	1	52	Protection cover 4	3
26	Nylon washer	1	53	Lock washer	3
27	Connector	1			

WARNING

General Machinery Safety Instructions

Machinery House
requires you to read this entire Manual before using this machine.

- 1. Read the entire Manual before starting machinery.** Machinery may cause serious injury if not correctly used.
- 2. Always use correct hearing protection when operating machinery.** Machinery noise may cause permanent hearing damage.
- 3. Machinery must never be used when tired, or under the influence of drugs or alcohol.** When running machinery you must be alert at all times.
- 4. Wear correct Clothing.** At all times remove all loose clothing, necklaces, rings, jewelry, etc. Long hair must be contained in a hair net. Non-slip protective footwear must be worn.
- 5. Always wear correct respirators around fumes or dust when operating machinery.** Machinery fumes & dust can cause serious respiratory illness. Dust extractors must be used where applicable.
- 6. Always wear correct safety glasses.** When machining you must use the correct eye protection to prevent injuring your eyes.
- 7. Keep work clean and make sure you have good lighting.** Cluttered and dark shadows may cause accidents.
- 8. Personnel must be properly trained or well supervised when operating machinery.** Make sure you have clear and safe understanding of the machine you are operating.
- 9. Keep children and visitors away.** Make sure children and visitors are at a safe distance for you work area.
- 10. Keep your workshop childproof.** Use padlocks, Turn off master power switches and remove start switch keys.
- 11. Never leave machine unattended.** Turn power off and wait till machine has come to a complete stop before leaving the machine unattended.
- 12. Make a safe working environment.** Do not use machine in a damp, wet area, or where flammable or noxious fumes may exist.
- 13. Disconnect main power before service machine.** Make sure power switch is in the off position before re-connecting.
- 14. Use correct amperage extension cords.** Undersized extension cords overheat and lose power. Replace extension cords if they become damaged.
- 15. Keep machine well maintained.** Keep blades sharp and clean for best and safest performance. Follow instructions when lubricating and changing accessories.
- 16. Keep machine well guarded.** Make sure guards on machine are in place and are all working correctly.
- 17. Do not overreach.** Keep proper footing and balance at all times.
- 18. Secure workpiece.** Use clamps or a vice to hold the workpiece where practical. Keeping the workpiece secure will free up your hand to operate the machine and will protect hand from injury.
- 19. Check machine over before operating.** Check machine for damaged parts, loose bolts, Keys and wrenches left on machine and any other conditions that may effect the machines operation. Repair and replace damaged parts.
- 20. Use recommended accessories.** Refer to instruction manual or ask correct service officer when using accessories. The use of improper accessories may cause the risk of injury.
- 21. Do not force machinery.** Work at the speed and capacity at which the machine or accessory was designed.
- 22. Use correct lifting practice.** Always use the correct lifting methods when using machinery. Incorrect lifting methods can cause serious injury.
- 23. Lock mobile bases.** Make sure any mobile bases are locked before using machine.
- 24. Allergic reactions.** Certain metal shavings and cutting fluids may cause an allergic reaction in people and animals, especially when cutting as the fumes can be inhaled. Make sure you know what type of metal and cutting fluid you will be exposed to and how to avoid contamination.
- 25. Call for help.** If at any time you experience difficulties, stop the machine and call you nearest branch service department for help.

WARNING

Hydraulic Press Safety Instructions

Machinery House
requires you to read this entire Manual before using this machine.

- 1. Maintenance.** Check oil levels and fill to correct oil levels if necessary. Apply oil to surface of ram to maintain good lubrication.
- 2. Press Condition.** Press must be maintained for a proper working condition. Never operate a Press that has low oil levels, damaged or worn parts. Scheduled routine maintenance should be performed on a scheduled basis. Check all hoses, pressure head, and support rods for cracks or damage. Replace if necessary.
- 3. V-Block Condition.** Never operate a Press with damaged or badly worn V-blocks. Replace if required.
- 4. Hand Hazard.** Keep hands away from the pressure head and out of support rod holes, under any circumstances, while the machine is in operation mode. Serious injury can occur.
- 5. Gloves & Glasses.** Always wear leather gloves and approved safety glasses when using this machine.
- 6. Work area hazards.** Keep the area around the Press clean from oil, tools, objects & chips. Pay attention to other persons in the area and know what is going on around the area to ensure unintended accidents.
- 7. Overloading Press.** Do not exceed the press capacity indicated on the gauge.
- 8. Warning Labels.** Take note of any warning labels on the machine and do not remove them.
- 9. Material Hazard.** Do not compress springs or other objects that could be ejected from the press. Do not compress objects that could shatter. Serious injury can occur.
- 10. Secure Press.** Make sure you bolt the machine down so it is secure when in operation.
- 11. Use Correct Air Pressure** Exceeding the maximum PSI rating of Press may cause unpredictable operation, injury and damage to machine. If this rating is not stated in manual suggest NOT to exceed 125psi.
(Applies to Pneumatic model only).
- 12. Disconnect Air Pressure** before servicing Press, or leaving unattended.
(Applies to Pneumatic model only).
- 13. Air Hose - Trip Hazard** Hoses can easily become a tripping hazard when laid across the floor in a disorganized fashion.
(Applies to Pneumatic model only).
- 14. Call for help.** If at any time you experience difficulties, stop the machine and call your nearest branch service department for help.

PLANT SAFETY PROGRAM

NEW MACHINERY HAZARD IDENTIFICATION, ASSESSMENT & CONTROL

Hydraulic Press

Developed in Co-operation Between A.W.I.S.A and Australia Chamber of Manufactures
This program is based upon the Safe Work Australia, Code of Practice - Managing Risks of Plant in the Workplace (WHSA 2011 No10)

Item No.	Hazard Identification	Hazard Assessment	Risk Control Strategies (Recommended for Purchase / Buyer / User)
B	CRUSHING	HIGH	Do not exceed maximum capacity. Check equipment for damage prior to use. Wear safety boots. Never put any part of your body between hydraulic ram and material. Always support material properly on hydraulic press. Ensure press is bolted down on level solid ground. Ensure table is as close as possible to ram and support pins are correctly positioned before using. Do not exceed recommended maximum PSI rating. (applies to Pneumatic model only) Use equipment in the correct manner as to avoid parts being ejected out under pressure.
C	CUTTING, STABBING OR PUNCTURING	MEDIUM	Use equipment in the correct manner as to avoid parts being ejected out under pressure.
E	STRIKING	MEDIUM	Use equipment in the correct manner as to avoid parts being ejected out under pressure.
G	HIGH PRESSURE AIR	MEDIUM	Disconnect air supply to press prior to checks or maintenance. Do not exceed recommended maximum PSI rating. (applies to Pneumatic model only)
Plant Safety Program to be read in conjunction with manufactures instructions			




www.machineryhouse.com.au



www.machineryhouse.co.nz

Authorised and signed by:

Safety officer: 

Manager: 

Revised Date: 4th December 2017